



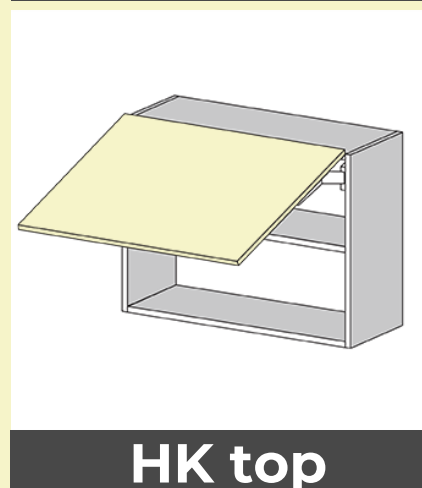
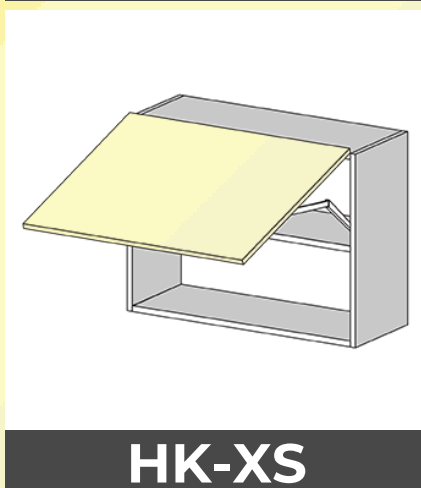
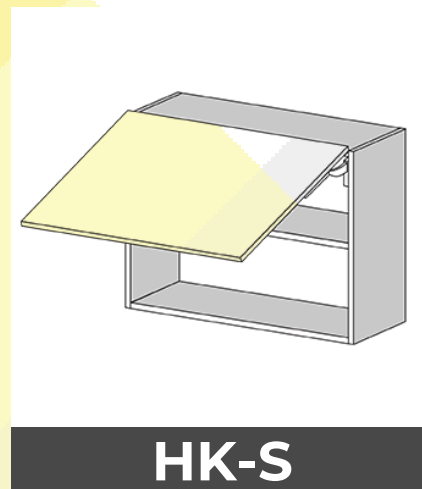
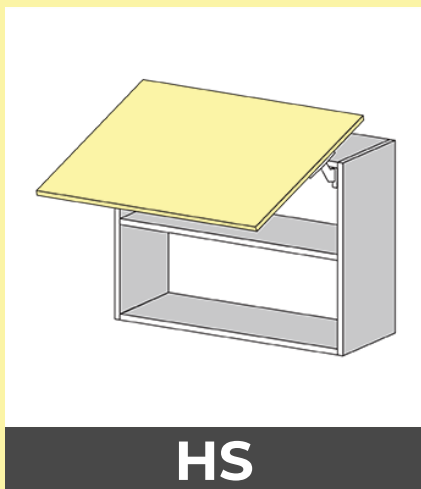
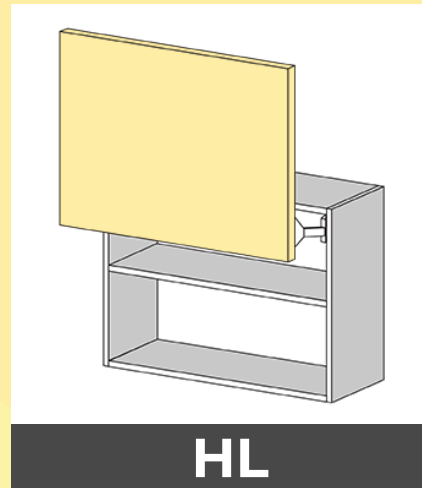
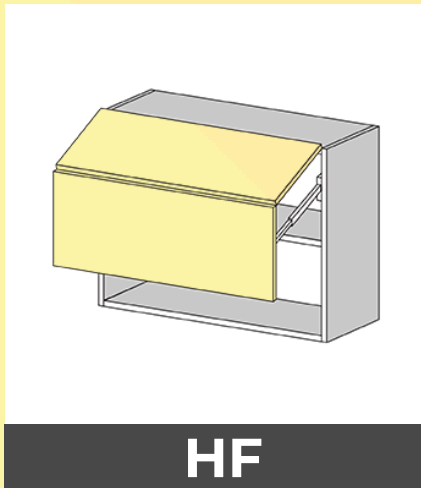
Cabinet Systems

**AVENTOS
LIFT-UP SYSTEMS
GUIDE
2023**



Cabinet Systems

Aventos - Quick Reference Guide





Cabinet Systems

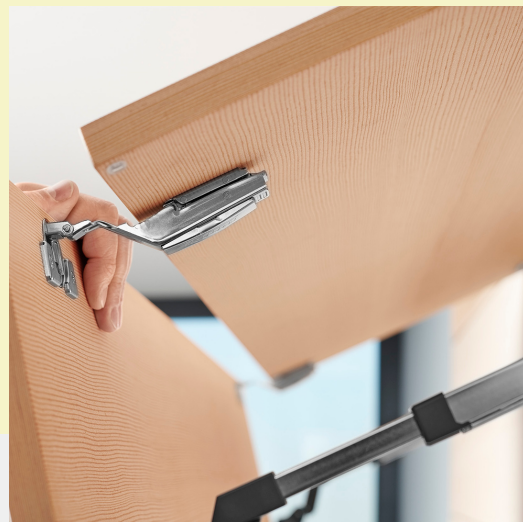
Key Features - Aventos HF

- The bi-fold lift is ideal for wall cabinets with large fronts
- For cabinet heights of 480 to 1040 mm and cabinet widths of up to 1800 mm
- Cover caps come in silk white

You can access additional accessories for this product from your preferred hardware supplier

For full product information and specifications visit:

<https://www.blum.com/au/en/products/liftsystems/aventos-hf/programme/>





Cabinet Systems

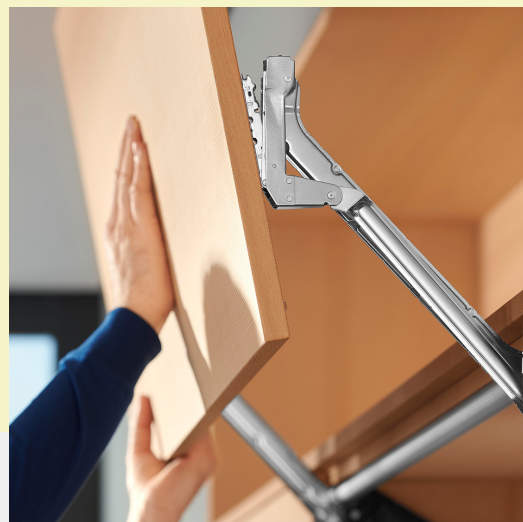
Key Features - Aventos HL

- Ideal for mid/high wall units, ensuring easy access.
- For cabinet heights of 300 to 580mm and cabinet widths of up to 1800mm
- Cover caps come in silk white

You can access additional accessories for this product from your preferred hardware supplier

For full product information and specifications visit:

<https://www.blum.com/au/en/products/liftsystems/aventos-hl/programme/>





Cabinet Systems

Key Features - Aventos HS

- Large fronts swing up and over the cabinet
- For cabinet heights of 350 to 800mm and cabinet widths of up to 1800mm
- Cover caps come in silk white

You can access additional accessories for this product from your preferred hardware supplier

For full product information and specifications visit:

<https://www.blum.com/au/en/products/liftsystems/aventos-hs/programme/>





Cabinet Systems

Key Features - Aventos HK top

- Minimalist design, integrated features, versatile dimensions
- For cabinet heights of 205 to 600mm and cabinet widths of up to 1800mm
- Cover caps come in silk white

You can access additional accessories for this product from your preferred hardware supplier

For full product information and specifications visit:

<https://www.blum.com/au/en/products/liftsystems/aventos-hk-top/programme/>





Cabinet Systems

Key Features - Aventos HK-S

- For small wall cabinets and fitted units
- Cabinet heights of up to 600mm and cabinet widths of up to 1800mm
- Cover caps come in silk white

You can access additional accessories for this product from your preferred hardware supplier

For full product information and specifications visit:

<https://www.blum.com/au/en/products/liftsystems/aventos-hk-s/programme/>





Cabinet Systems

Key Features - Aventos HK-XS

- For small wall cabinets and fitted units
- For cabinet heights of 240 to 600mm
- Suitable for internal depths of at least 100mm

You can access additional accessories for this product from your preferred hardware supplier

For full product information and specifications visit:

<https://www.blum.com/au/en/products/liftsystems/aventos-hk-xs/programme/>

